

# DC Axial Fans

## YD80X12L(M)(H) YD80X24L(M)(H)

### Features

Size: 80×80×25mm(3.15×3.15×1.00in)

Frame/Impeller: Reinforced Plastic UL94V-0

Bearings: Ball Bearing&Sleeve Bearing

Life Expectancy:50,000 Hours at 20°C-Ball

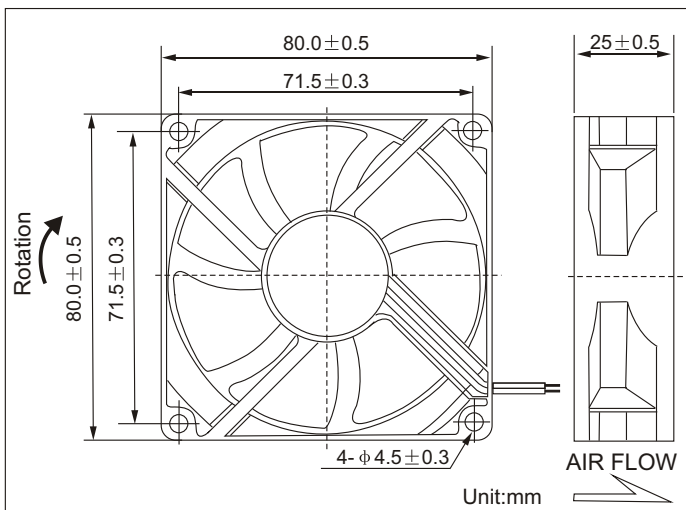
30,000 Hours at 20°C-Sleeve

Approvals: UL CUL TUV CE RoHS

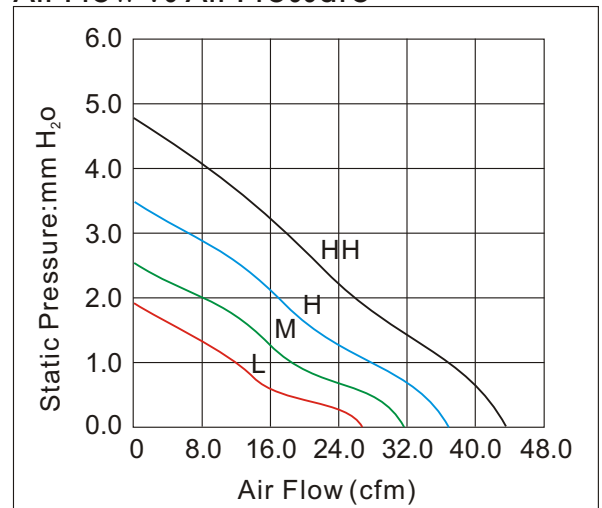
Weight: 60g

  E318377 CE TUV AE50078978

▪ RoHS Compliant



### Air Flow vs Air Pressure



### Performance

| Model     | Bearing System X |   |   | Rated Voltage (V) | Current (A) | Input Power (W) | Nominal Speed (R.P.M) | Air Flow (CFM) | Air Pressure (mm-H <sub>2</sub> O) | Noise (dBA) |
|-----------|------------------|---|---|-------------------|-------------|-----------------|-----------------------|----------------|------------------------------------|-------------|
|           | S                | B | D |                   |             |                 |                       |                |                                    |             |
| YD80X12L  | ✓                | ✓ | ✓ | 12                | 0.08        | 0.96            | 2000                  | 26.80          | 1.91                               | 23          |
| YD80X12M  | ✓                | ✓ | ✓ | 12                | 0.15        | 1.80            | 2500                  | 31.50          | 2.48                               | 27          |
| YD80X12H  | ✓                | ✓ | ✓ | 12                | 0.20        | 2.40            | 3000                  | 36.50          | 3.40                               | 32          |
| YD80X12HH | ✓                | ✓ | ✓ | 12                | 0.25        | 3.00            | 3500                  | 44.00          | 4.81                               | 37          |
| YD80X24L  | ✓                | ✓ | ✓ | 24                | 0.06        | 1.44            | 2000                  | 26.80          | 1.91                               | 23          |
| YD80X24M  | ✓                | ✓ | ✓ | 24                | 0.08        | 1.92            | 2500                  | 31.50          | 2.48                               | 27          |
| YD80X24H  | ✓                | ✓ | ✓ | 24                | 0.10        | 2.40            | 3000                  | 36.50          | 3.40                               | 32          |
| YD80X24HH | ✓                | ✓ | ✓ | 24                | 0.12        | 2.88            | 3500                  | 44.00          | 4.81                               | 37          |
| YD80X48M  | ✓                | ✓ | ✓ | 48                | 0.07        | 3.36            | 3000                  | 36.50          | 3.40                               | 32          |
| YD80X48H  | ✓                | ✓ | ✓ | 48                | 0.15        | 7.20            | 3500                  | 44.00          | 4.81                               | 37          |