

DC Axial Fans



YD82X12L(M)(H) YD82X24L(M)(H)

Features

Size: 80×80×20mm(3.15×3.15×0.79in)

Frame/Impeller: Reinforced Plastic UL94V-0

Bearings: Ball Bearing&Sleeve Bearing

Life Expectancy:50,000 Hours at 20°C-Ball

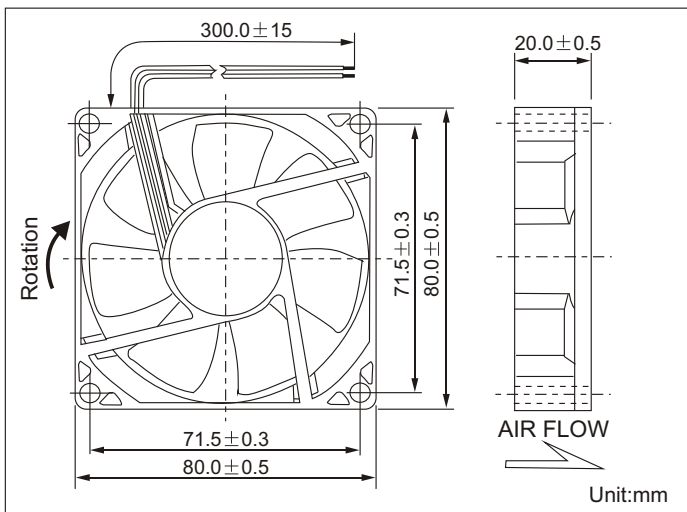
30,000 Hours at 20°C-Sleeve

Approvals: UL CUL TUV CE RoHS

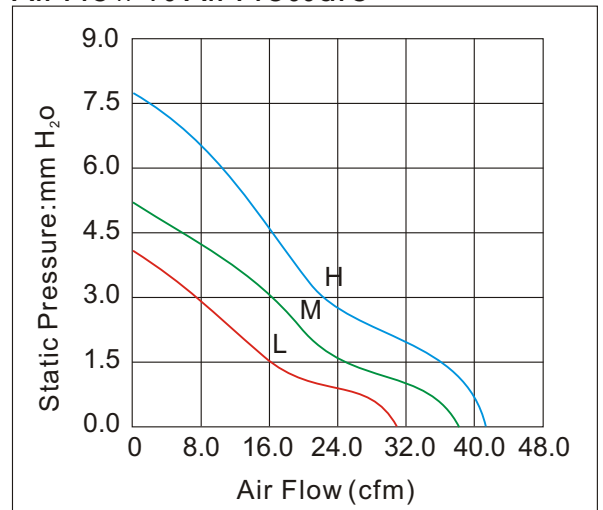
Weight: 55g

  E318377 CE TUV AE50078978

▪ RoHS Compliant



Air Flow vs Air Pressure



Performance

Model	Bearing System X			Rated Voltage (V)	Current (A)	Input Power (W)	Nominal Speed (R.P.M)	Air Flow (CFM)	Air Pressure (mm-H ₂ O)	Noise (dBA)
	S	B	D							
YD82X12L	✓	✓	✓	12	0.12	1.44	2500	30.50	4.05	26
YD82X12M	✓	✓	✓	12	0.18	2.16	3000	36.03	5.35	32
YD82X12H	✓	✓	✓	12	0.24	2.88	3500	41.30	7.61	38
YD82X24L	✓	✓	✓	24	0.07	1.68	2500	30.50	4.05	26
YD82X24M	✓	✓	✓	24	0.10	2.40	3000	36.03	5.35	32
YD82X24H	✓	✓	✓	24	0.15	3.60	3500	41.30	7.61	38