

DC Axial Fans



YD72X12L(M)(H) YD72X24L(M)(H)

Features

Size: 70×70×25mm(2.76×2.76×1.0in)

Frame/Impeller: Reinforced Plastic UL94V-0



Bearings: Ball Bearing&Sleeve Bearing

Life Expectancy:50,000 Hours at 20°C-Ball

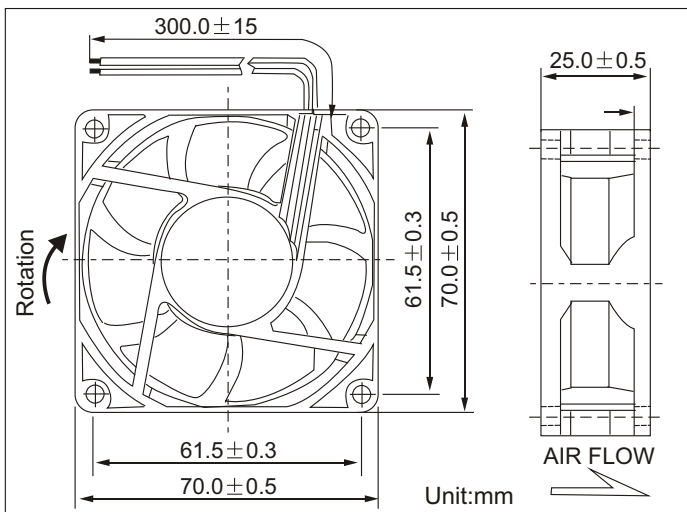
30,000 Hours at 20°C-Sleeve

Approvals: UL CUL TUV CE RoHS

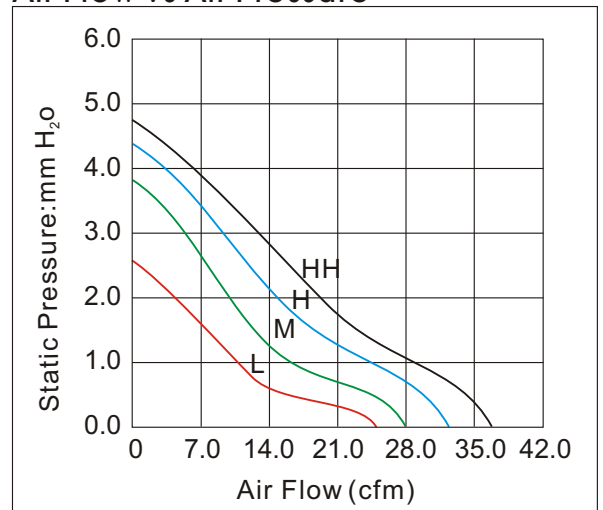
Weight: 50g

  E318377 CE TUV AE50078978

▪ RoHS Compliant



Air Flow vs Air Pressure



Performance

Model	Bearing System X			Rated Voltage (V)	Current (A)	Input Power (W)	Nominal Speed (R.P.M)	Air Flow (CFM)	Air Pressure (mm-H ₂ O)	Noise (dBA)
	S	B	D							
YD72X12L	✓	✓	✓	12	0.13	1.56	3000	24.00	2.65	31
YD72X12M	✓	✓	✓	12	0.20	2.40	3500	27.93	3.85	36
YD72X12H	✓	✓	✓	12	0.25	3.00	4000	32.02	4.31	40
YD72X12HH	✓	✓	✓	12	0.35	4.20	4500	36.12	4.80	42
YD72X24L	✓	✓	✓	24	0.08	1.92	3000	24.00	2.65	31
YD72X24M	✓	✓	✓	24	0.12	2.88	3500	27.93	3.85	36
YD72X24H	✓	✓	✓	24	0.15	3.60	4000	32.02	4.31	40
YD72X24HH	✓	✓	✓	24	0.20	4.80	4500	36.12	4.80	42