

# DC Axial Fans

## YD62X12L(M)(H) YD62X24L(M)(H)

### Features

Size: 60×60×20mm(2.36×2.36×0.79in)

Frame/Impeller: Reinforced Plastic UL94V-0



Bearings: Ball Bearing&Sleeve Bearing

Life Expectancy:50,000 Hours at 20°C-Ball

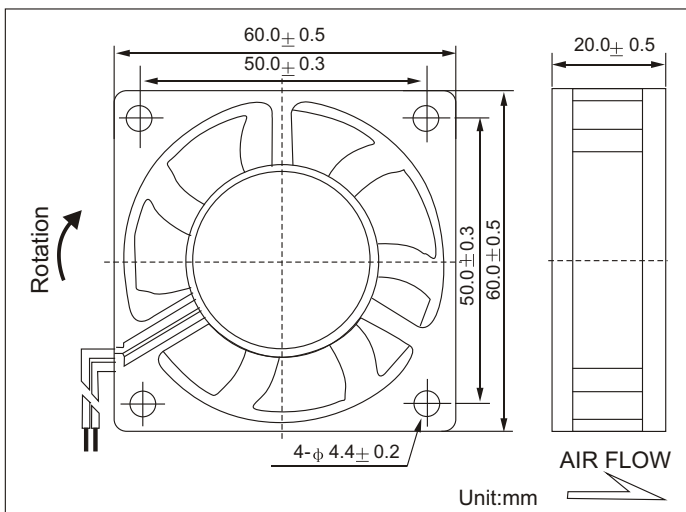
30,000 Hours at 20°C-Sleeve

Approvals: UL CUL TUV CE RoHS

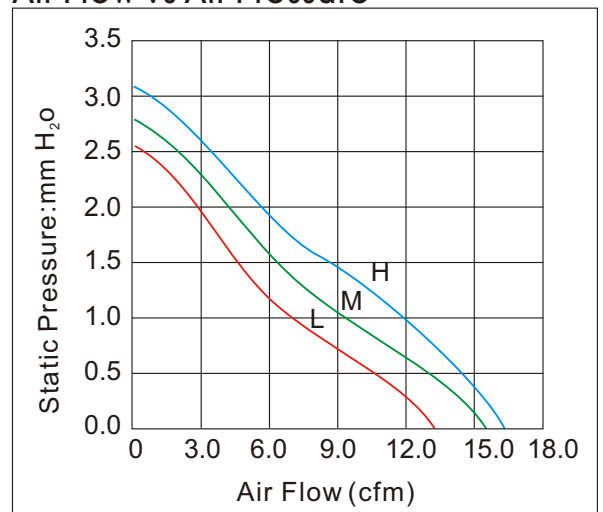
Weight: 45g

  E318377 CE TUV AE50078978

▪ RoHS Compliant



### Air Flow vs Air Pressure



### Performance

Model	Bearing System X			Rated Voltage (V)	Current (A)	Input Power (W)	Nominal Speed (R.P.M)	Air Flow (CFM)	Air Pressure (mm-H <sub>2</sub> O)	Noise (dBA)
	S	B	D							
YD62X12L	✓	✓	✓	12	0.10	1.20	3500	13.15	2.52	27
YD62X12M	✓	✓	✓	12	0.15	1.80	4000	15.02	2.80	31
YD62X12H	✓	✓	✓	12	0.20	2.40	4500	16.71	3.18	33
YD62X24L	✓	✓	✓	24	0.06	1.44	3500	13.15	2.52	27
YD62X24M	✓	✓	✓	24	0.08	1.92	4000	15.02	2.80	31
YD62X24H	✓	✓	✓	24	0.10	2.40	4500	16.71	3.18	33