

# DC Axial Fans



## YD48X05L(M)(H) YD48X12L(M)(H) YD48X24L(M)(H)

### Features

Size: 40×40×28mm(1.57×1.57×1.10in)

Frame/Impeller: Reinforced Plastic UL94V-0

Bearings: Ball Bearing&Sleeve Bearing

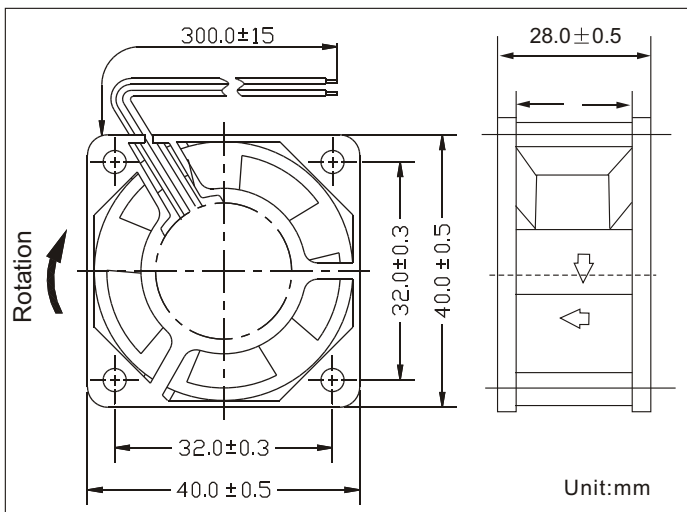
Life Expectancy:50,000 Hours at 20°C-Ball  
30,000 Hours at 20°C-Sleeve

Approvals: UL CUL TUV CE RoHS

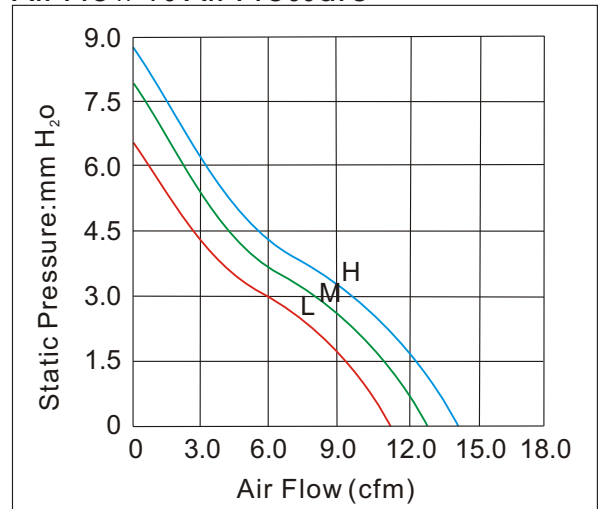
Weight: 35g

  E318377 CE TUV AE50078978

▪ RoHS Compliant



### Air Flow vs Air Pressure



### Performance

Model	Bearing System X			Rated Voltage (V)	Current (A)	Input Power (W)	Nominal Speed (R.P.M)	Air Flow (CFM)	Air Pressure (mm-H <sub>2</sub> O)	Noise (dBA)
	S	B	D							
YD48X12L	✓	✓	✓	12	0.18	2.16	8000	11.45	6.85	34
YD48X12M	✓	✓	✓	12	0.25	3.00	9000	12.88	7.71	36
YD48X12H	✓	✓	✓	12	0.35	4.20	10000	14.31	8.55	38
YD48X24L	✓	✓	✓	24	0.12	2.88	8000	11.45	6.85	34
YD48X24M	✓	✓	✓	24	0.18	4.32	9000	12.88	7.71	36
YD48X24H	✓	✓	✓	24	0.25	6.00	10000	14.31	8.55	38