



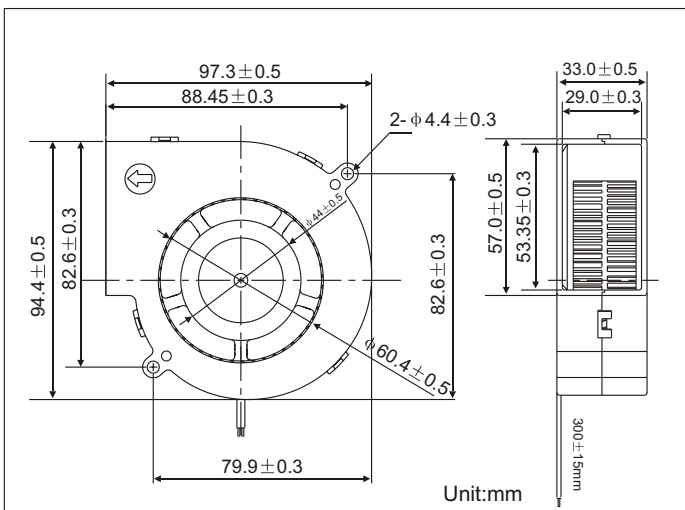
DC Blowers

YB9733X12L(M)(H) YB9733X24L(M)(H)

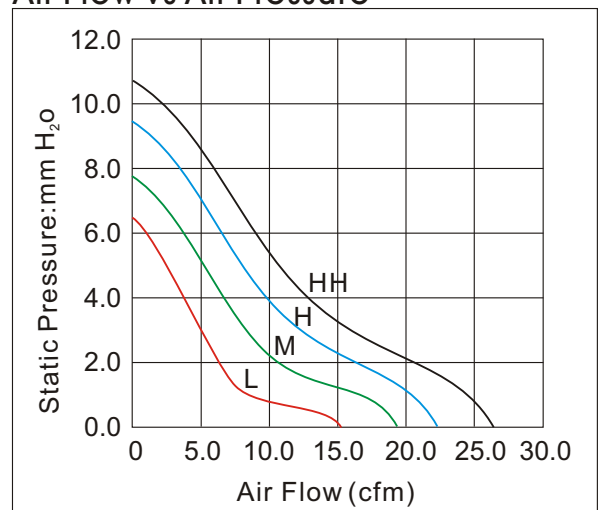
Features

Size: 97×94×33mm(3.82×3.70×1.3in)
 Frame/Impeller: Reinforced Plastic UL94V-0
 Bearings: Ball Bearing&Sleeve Bearing
 Life Expectancy:50,000 Hours at 20°C-Ball
 30,000 Hours at 20°C-Sleeve
 Approvals: UL CUL TUV CE RoHS
 Weight: 95g



 E318377 CE TUV AE50078978
 ▪ RoHS Compliant



Air Flow vs Air Pressure



Performance

Model	Bearing System X			Rated Voltage (V)	Current (A)	Input Power (W)	Nominal Speed (R.P.M)	Air Flow (CFM)	Air Pressure (mm-H ₂ O)	Noise (dBA)
	S	B	D							
YB9733X12L	✓	✓	✓	12	0.20	2.40	2000	15.05	6.23	35
YB9733X12M	✓	✓	✓	12	0.30	3.60	2500	18.35	7.75	41
YB9733X12H	✓	✓	✓	12	0.55	6.60	3000	22.50	9.28	47
YB9733X12HH	✓	✓	✓	12	0.65	7.80	3500	26.33	10.88	52
YB9733X24L	✓	✓	✓	24	0.08	1.92	2000	15.05	6.23	35
YB9733X24M	✓	✓	✓	24	0.15	3.60	2500	18.35	7.75	41
YB9733X24H	✓	✓	✓	24	0.25	6.00	3000	22.50	9.28	47
YB9733X24HH	✓	✓	✓	24	0.35	8.40	3500	26.33	10.88	52