

DC Blowers

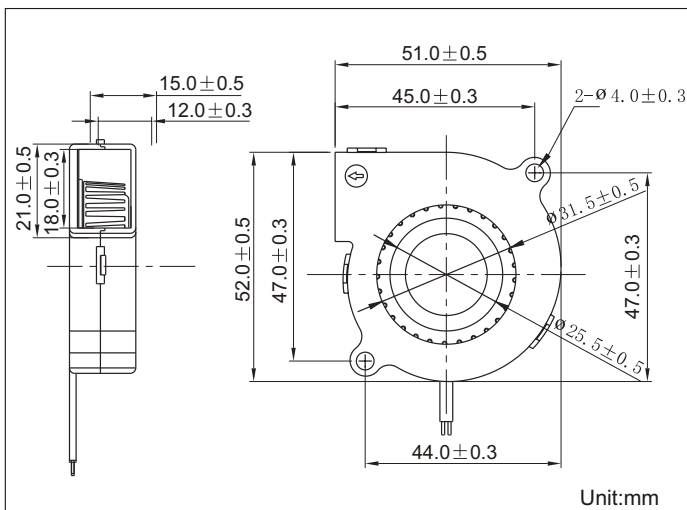


YB5015X05L(M)(H) YB5015X12L(M)(H) YB5015X24L(M)(H)

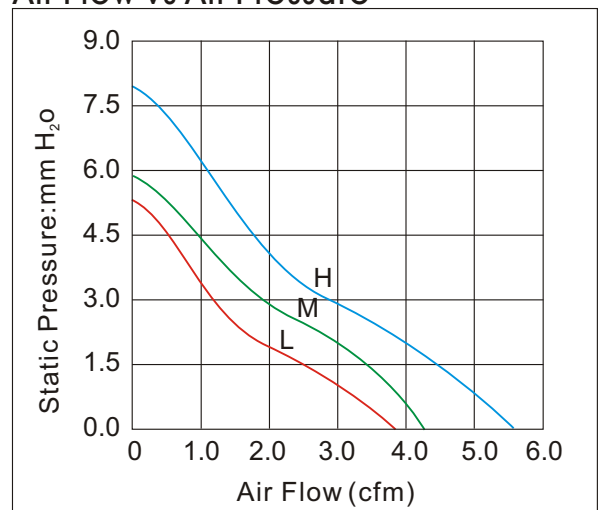
Features

Size: 50×50×15mm(2.36×2.36×0.59in)
 Frame/Impeller: Reinforced Plastic UL94V-0
 Bearings: Ball Bearing&Sleeve Bearing
 Life Expectancy:50,000 Hours at 20°C-Ball
 30,000 Hours at 20°C-Sleeve
 Approvals: UL CUL TUV CE RoHS
 Weight: 30g

E318377 CE TUV AE50078978
 ▪ RoHS Compliant



Air Flow vs Air Pressure



Performance

Model	Bearing System X			Rated Voltage (V)	Current (A)	Input Power (W)	Nominal Speed (R.P.M)	Air Flow (CFM)	Air Pressure (mm-H ₂ O)	Noise (dBA)
	S	B	D							
YB5015X05L	✓	✓	✓	5	0.15	0.75	3500	3.75	5.15	28
YB5015X05M	✓	✓	✓	5	0.22	1.10	4000	4.21	5.88	30
YB5015X05H	✓	✓	✓	5	0.35	1.75	5000	5.55	7.35	33
YB5015X12L	✓	✓	✓	12	0.10	1.20	3500	3.75	5.15	28
YB5015X12M	✓	✓	✓	12	0.15	1.80	4000	4.21	5.88	30
YB5015X12H	✓	✓	✓	12	0.20	2.40	5000	5.55	7.35	33
YB5015X24L	✓	✓	✓	24	0.08	1.92	3500	3.75	5.15	28
YB5015X24M	✓	✓	✓	24	0.10	2.40	4000	4.21	5.88	30
YB5015X24H	✓	✓	✓	24	0.15	3.60	5000	5.55	7.35	33