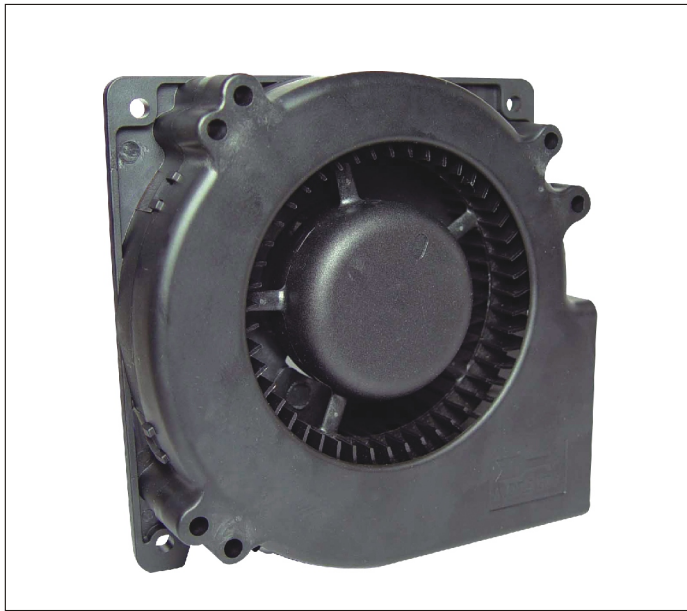


# DC Blowers



## YB12032X12L(M)(H) YB12032X24L(M)(H)

### Features

Size: 120×120×32mm(4.72×4.72×1.5in)



Frame/Impeller: Reinforced Plastic UL94V-0

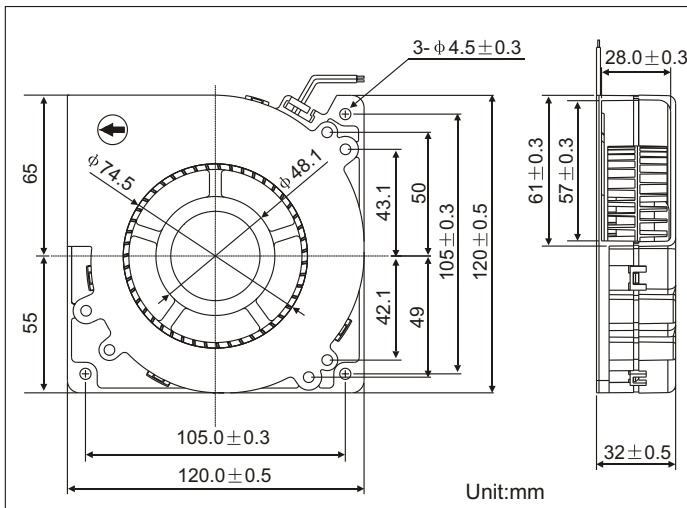
Bearings: Ball Bearing&Sleeve Bearing

Life Expectancy:50,000 Hours at 20°C-Ball  
30,000 Hours at 20°C-Sleeve

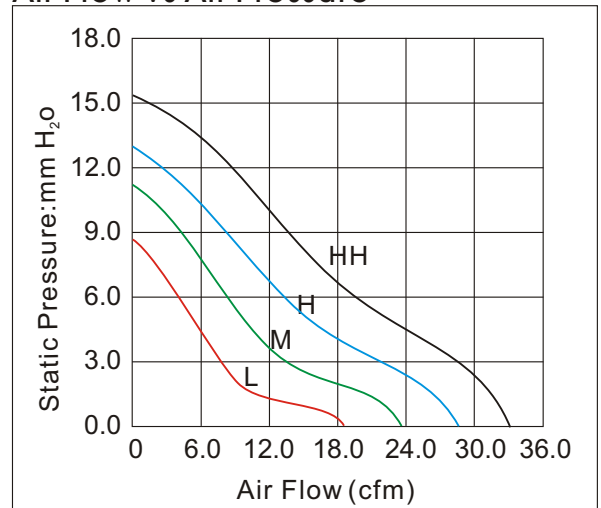
Approvals: UL CUL TUV CE RoHS

Weight: 210g

  E318377 CE TUV AE50078978  
▪ RoHS Compliant



### Air Flow vs Air Pressure



### Performance

Model	Bearing System X			Rated Voltage (V)	Current (A)	Input Power (W)	Nominal Speed (R.P.M)	Air Flow (CFM)	Air Pressure (mm-H <sub>2</sub> O)	Noise (dBA)
	S	B	D							
YB12032X12L	✓	✓	✓	12	0.25	3.00	2000	18.88	8.82	45
YB12032X12M	✓	✓	✓	12	0.35	4.20	2500	23.64	11.00	48
YB12032X12H	✓	✓	✓	12	0.60	7.20	3000	28.30	13.23	52
YB12032X12HH	✓	✓	✓	12	0.80	9.60	3500	33.01	15.41	55
YB12032X24L	✓	✓	✓	24	0.15	3.60	2000	18.88	8.82	45
YB12032X24M	✓	✓	✓	24	0.20	3.60	2500	23.64	11.00	48
YB12032X24H	✓	✓	✓	24	0.25	6.00	3000	28.30	13.23	52
YB12032X24HH	✓	✓	✓	24	0.45	10.80	3500	33.01	15.41	55