

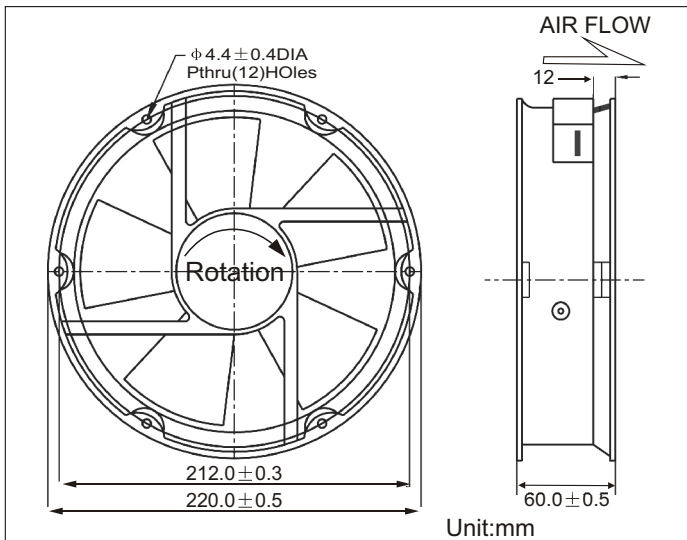
AC Axial Fans



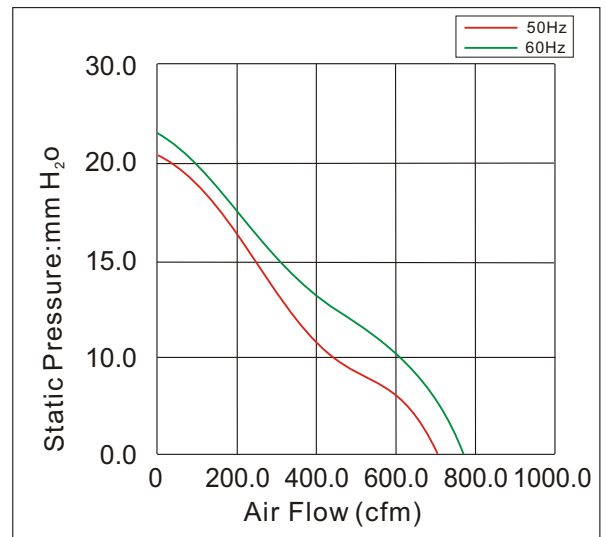
YA22060HA1 YA22060HA2

Features

Size: 220×60mm(8.7×2.4in)
 Frame: Aluminum Painted&Plastic UL94V-0
 Impeller: Reinforced Plastic UL94V-0
 Bearings: Ball Bearing&Sleeve Bearing
 Life Expectancy: 50,000 Hours at 20°C-Ball
 30,000 Hours at 20°C-Sleeve
 Approvals: UL CUL CE 3C RoHS
 Weight: 1550g



Air Flow vs Air Pressure



Performance

Model	Part Number	Bearing System	Rated Voltage (V)	Operating Frequency (Hz)	Current (A)	Input Power (W)	Nominal Speed (R.P.M)	Air Flow (CFM)	Air Pressure (mm-H ₂ O)	Noise (dBA)
YA22060HA1	YA22060HA1BL(T)	Ball	110/120	50/60	1.00/0.90	88/79	2500/2800	700/780	20.8/23.5	56/62
YA22060HA2	YA22060HA2BL(T)	Ball	220/240	50/60	0.45/0.35	79/62	2500/2800	700/780	20.8/23.5	56/62