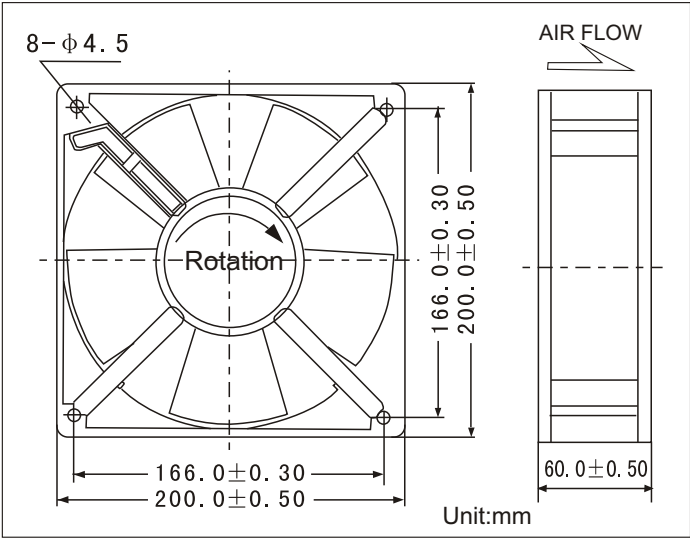


AC Axial Fans

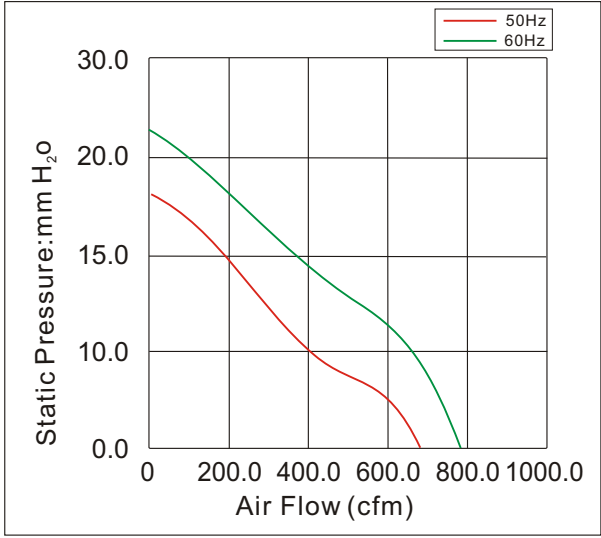
YA20060HA1 YA20060HA2

Features

- Size: 200×200×60mm(7.9×7.9×2.4in)
- Frame: Aluminum Painted&Plastic UL94V-0
- Impeller: Reinforced Plastic UL94V-0
- Bearings: Ball Bearing&Sleeve Bearing
- Life Expectancy: 50,000 Hours at 20°C-Ball
30,000 Hours at 20°C-Sleeve
- Approvals: UL CUL CE 3C RoHS
- Weight: 1700g



Air Flow vs Air Pressure



Performance

Model	Part Number	Bearing System	Rated Voltage (V)	Operating Frequency (Hz)	Current (A)	Input Power (W)	Nominal Speed (R.P.M)	Air Flow (CFM)	Air Pressure (mm-H ₂ O)	Noise (dBA)
YA20060HA1	YA20060HA1BL	Ball	110/120	50/60	0.90/0.70	80/62	2500/2800	680/750	18.8/22.0	58/60
YA20060HA2	YA20060HA2BL	Ball	220/240	50/60	0.40/0.30	71/53	2500/2800	680/750	18.8/22.0	58/63