

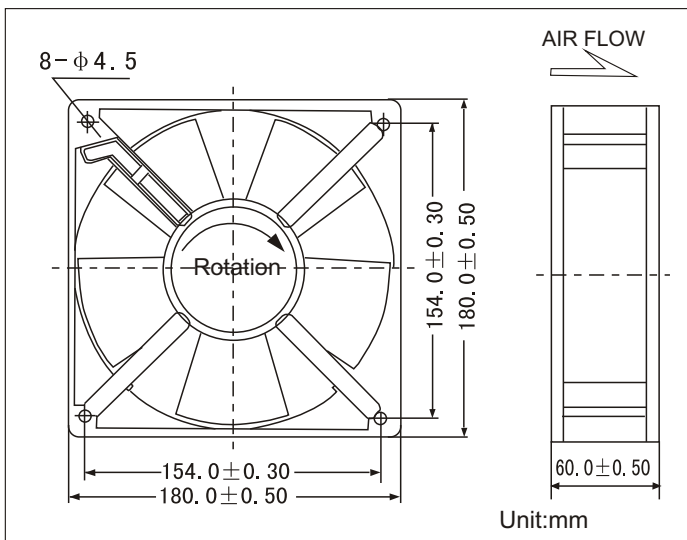
AC Axial Fans



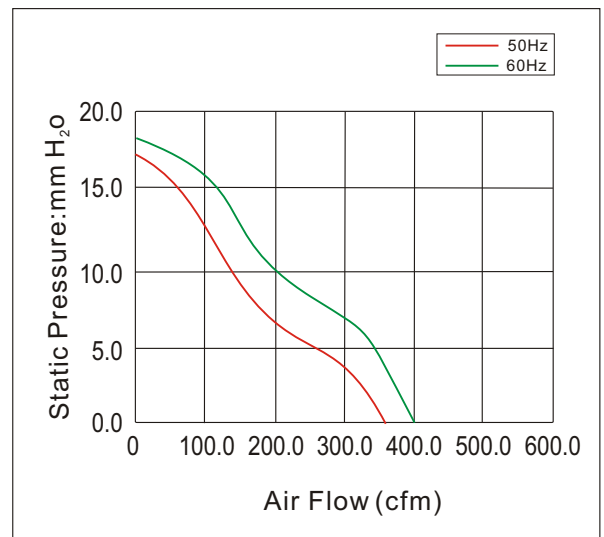
YA18060HA1 YA18060HA2

Features

Size: 180×180×60mm(7.1×7.1×2.4in)
 Frame: Aluminum Painted&Plastic UL94V-0
 Impeller: Reinforced Plastic UL94V-0
 Bearings: Ball Bearing&Sleeve Bearing
 Life Expectancy:50,000 Hours at 20°C-Ball
 30,000 Hours at 20°C-Sleeve
 Approvals: UL CUL CE 3C RoHS
 Weight:1000g



Air Flow vs Air Pressure



Performance

| Model | Part Number | Bearing System | Rated Voltage (V) | Operating Frequency (Hz) | Current (A) | Input Power (W) | Nominal Speed (R.P.M) | Air Flow (CFM) | Air Pressure (mm-H ₂ O) | Noise (dBA) |
|------------|-----------------|----------------|-------------------|--------------------------|-------------|-----------------|-----------------------|----------------|------------------------------------|-------------|
| YA18060HA1 | YA18060HA1BL(T) | Ball | 110/120 | 50/60 | 0.45/0.40 | 35/32 | 2700/3000 | 350/400 | 16.8/18.0 | 56/61 |
| YA18060HA2 | YA18060HA2BL(T) | Ball | 220/240 | 50/60 | 0.25/0.20 | 53/45 | 2700/3000 | 350/400 | 16.8/18.0 | 56/61 |