

# AC Axial Fans



## YA17251HA1 YA17251HA2

### Features

Size: 172×150×51mm(6.8×5.9×2.0in)

Frame: Aluminum Painted&Plastic UL94V-0

Impeller: Reinforced Plastic UL94V-0

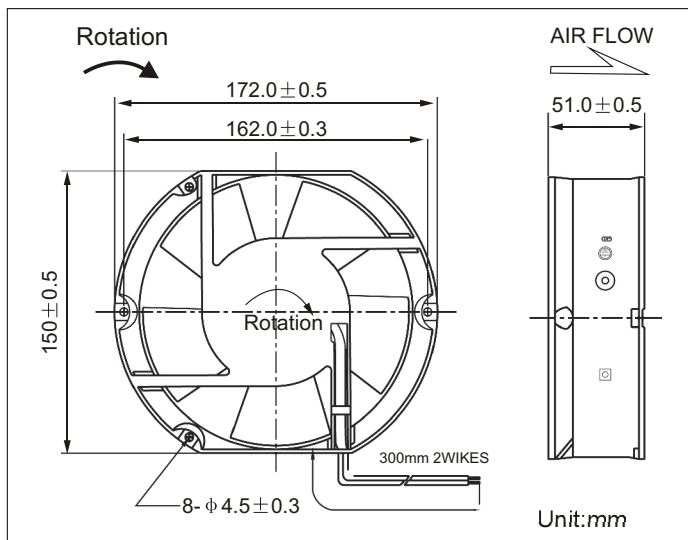
Bearings: Ball Bearing&Sleeve Bearing

Life Expectancy:50,000 Hours at 20°C-Ball

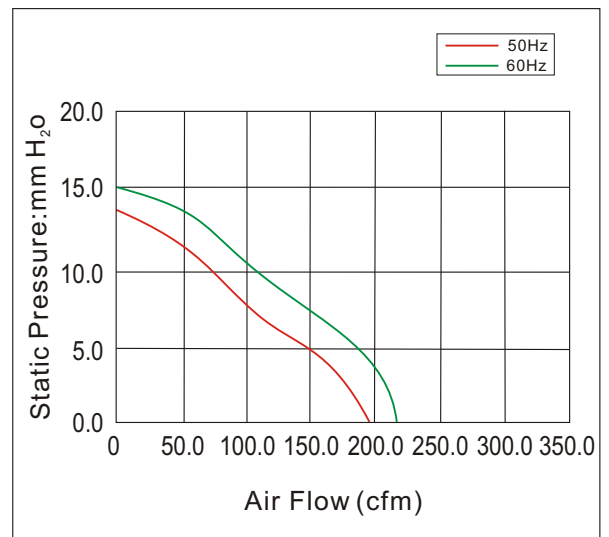
30,000 Hours at 20°C-Sleeve

Approvals: UL CUL CE 3C RoHS

Weight: 910g



### Air Flow vs Air Pressure



### Performance

Model	Part Number	Bearing System	Rated Voltage (V)	Operating Frequency (Hz)	Current (A)	Input Power (W)	Nominal Speed (R.P.M)	Air Flow (CFM)	Air Pressure (mm-H <sub>2</sub> O)	Noise (dBA)
YA17251HA1	YA17251HA1BL(T)	Ball	110/120	50/60	0.50/0.45	40/35	2800/3000	195/210	14.0/15.0	50/52
YA17251HA2	YA17251HA2BL(T)	Ball	220/240	50/60	0.40/0.35	40/35	2800/3000	195/210	14.0/15.0	50/52