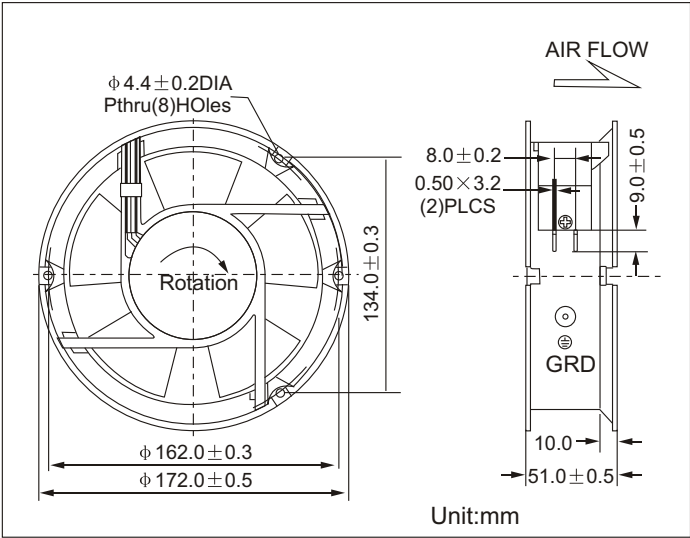


AC Axial Fans

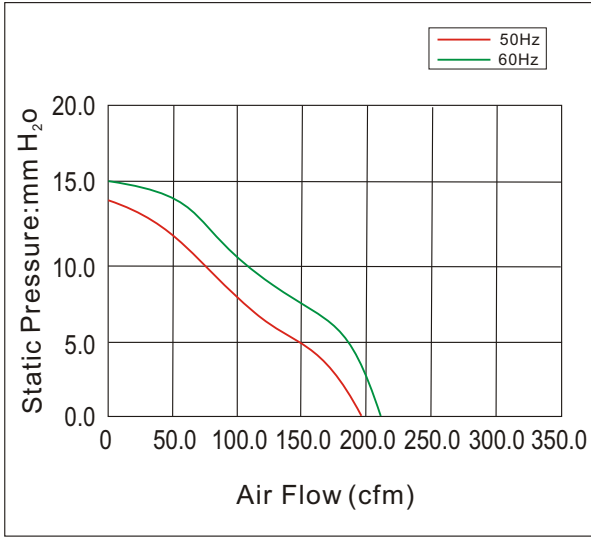
YA17251HA1 YA17251HA2

Features

- Size: 172×51mm(6.8×2.0in)
- Frame: Aluminum Painted&Plastic UL94V-0
- Impeller: Reinforced Plastic UL94V-0
- Bearings: Ball Bearing&Sleeve Bearing
- Life Expectancy: 50,000 Hours at 20°C-Ball
30,000 Hours at 20°C-Sleeve
- Approvals: UL CUL CE 3C RoHS
- Weight: 910g



Air Flow vs Air Pressure



Performance

Model	Part Number	Bearing System	Rated Voltage (V)	Operating Frequency (Hz)	Current (A)	Input Power (W)	Nominal Speed (R.P.M)	Air Flow (CFM)	Air Pressure (mm-H ₂ O)	Noise (dBA)
YA17251HA1	YA17251HA1BL(T)	Ball	110/120	50/60	0.50/0.45	40/35	2800/3000	195/210	14.0/15.0	50/52
YA17251HA2	YA17251HA2BL(T)	Ball	220/240	50/60	0.40/0.35	40/35	2800/3000	195/210	14.0/15.0	50/52