

AC Axial Fans



YA15051HA1 YA15051HA2

Features

Size: 150×150×51mm(6.0×6.0×2.0in)

Frame: Aluminum Painted&Plastic UL94V-0

Impeller: Reinforced Plastic UL94V-0

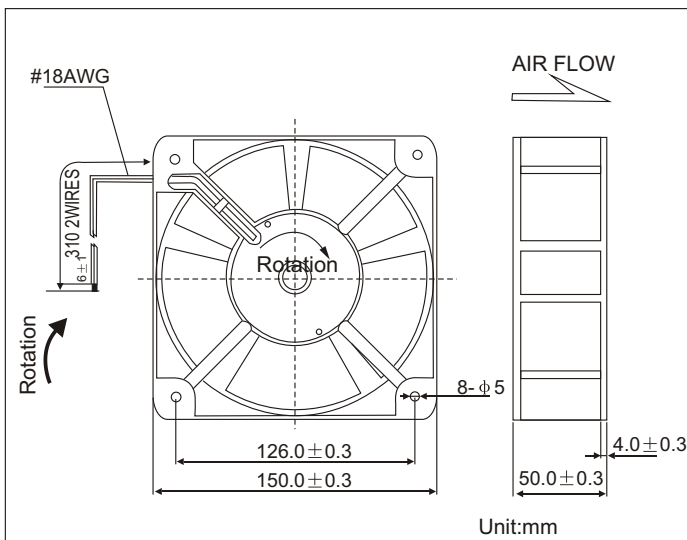
Bearings: Ball Bearing&Sleeve Bearing

Life Expectancy:50,000 Hours at 20°C-Ball

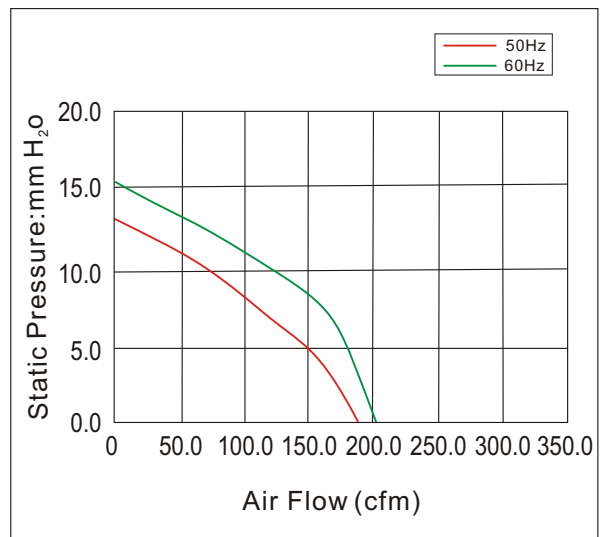
30,000 Hours at 20°C-Sleeve

Approvals: UL CUL CE 3C RoHS

Weight: 950g



Air Flow vs Air Pressure



Performance

Model	Part Number	Bearing System	Rated Voltage (V)	Operating Frequency (Hz)	Current (A)	Input Power (W)	Nominal Speed (R.P.M)	Air Flow (CFM)	Air Pressure (mm-H ₂ O)	Noise (dBA)
YA15051HA1	YA15051HA1BL(T)	Ball	110/120	50/60	0.45/0.40	35/32	2700/3000	185/201	13.5/15.1	51/55
YA15051HA2	YA15051HA2BL(T)	Ball	220/240	50/60	0.25/0.20	35/30	2700/3000	185/201	13.5/15.1	51/55