

AC Axial Fans



YA1238HA1 YA1238HA2
YA1238MA1 YA1238MA2
YA1238LA1 YA1238LA2

Features

Size: 120×120×38mm(4.72×4.72×1.5in)

Frame: Aluminum Painted&Plastic UL94V-0

Impeller: Reinforced Plastic UL94V-0

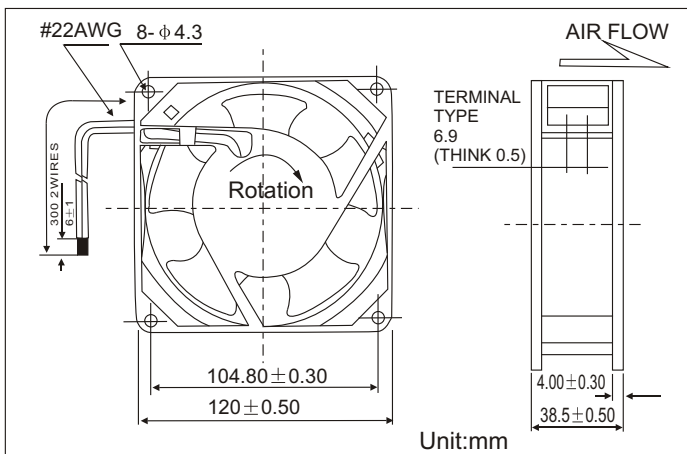
Bearings: Ball Bearing&Sleeve Bearing

Life Expectancy:50,000 Hours at 20°C-Ball

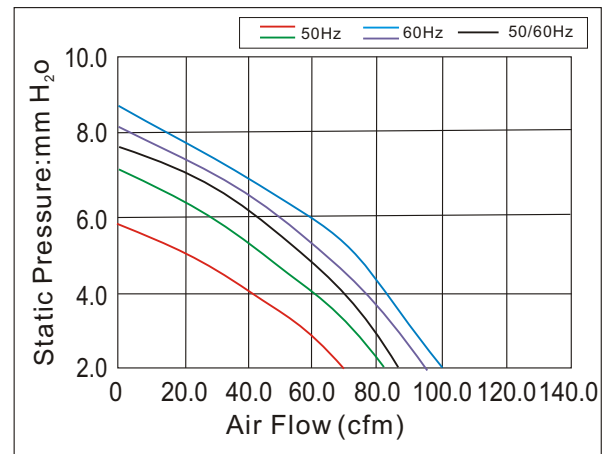
30,000 Hours at 20°C-Sleeve

Approvals: UL CUL CE 3C RoHS

Weight: 550g



Air Flow vs Air Pressure



Performance

Model	Part Number	Bearing System	Rated Voltage (V)	Operating Frequency (Hz)	Current (A)	Input Power (W)	Nominal Speed (R.P.M)	Air Flow (CFM)	Air Pressure (mm-H ₂ O)	Noise (dBA)
YA12038HA1	YA12038HA1SL(T) YA12038HA1BL(T)	Sleeve or Ball	110/120	50/60	0.25/0.20	25/20	2600/3000	88/100	7.85/8.64	45/50
YA12038HA2	YA12038HA2SL(T) YA12038HA2BL(T)	Sleeve or Ball	220/240	50/60	0.14/0.12	26/22	2600/3000	88/100	7.85/8.64	45/50
YA12038MA1	YA12038MA1SL(T) YA12038MA1BL(T)	Sleeve or Ball	110/120	50/60	0.18/0.16	15/13	2500/2800	84/95	7.45/8.10	40/42
YA12038MA2	YA12038MA1SL(T) YA12038MA1BL(T)	Sleeve or Ball	220/240	50/60	0.09/0.08	16/14	2500/2800	84/95	7.45/8.10	40/42
YA12038LA1	YA12038LA1SL(T) YA12038LA1BL(T)	Sleeve or Ball	110/120	50/60	0.15/0.13	14/12	2000/2500	68/84	5.95/7.45	36/40
YA12038LA2	YA12038LA1SL(T) YA12038LA1BL(T)	Sleeve or Ball	220/240	50/60	0.08/0.07	14/12	2000/2500	68/84	5.95/7.45	36/40