

AC Axial Fans



YA12025HA1 YA12025HA2

Features

Size: 120×120×25mm(4.72×4.72×1.0in)

Frame: Aluminum Painted&Plastic UL94V-0

Impeller: Reinforced Plastic UL94V-0

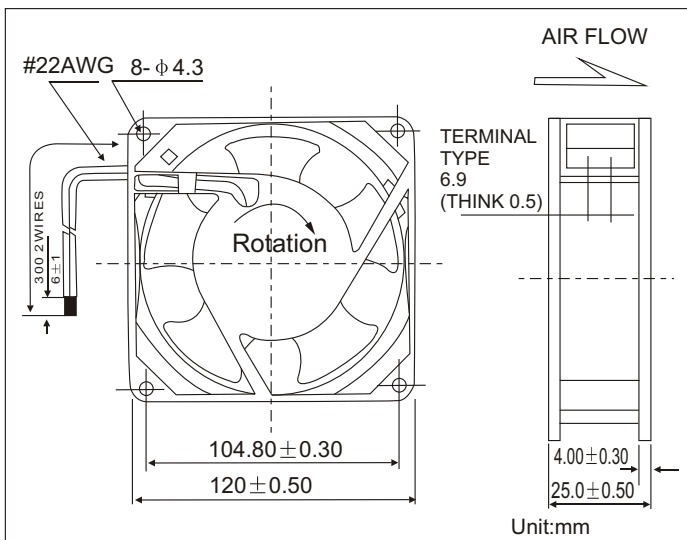
Bearings: Ball Bearing&Sleeve Bearing

Life Expectancy:50,000 Hours at 20°C-Ball

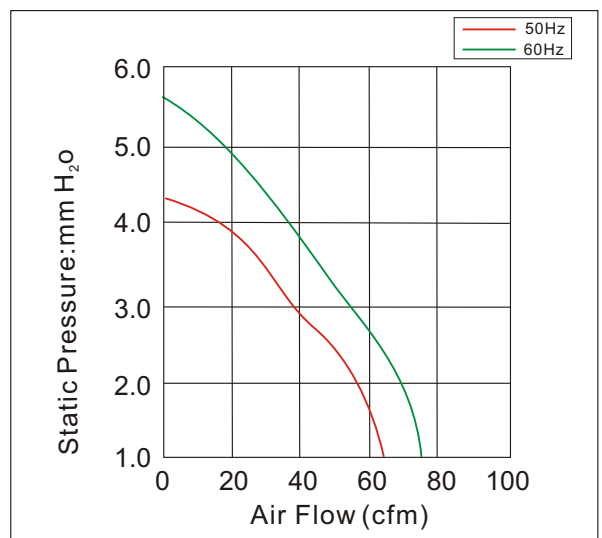
30,000 Hours at 20°C-Sleeve

Approvals: UL CUL CE 3C RoHS

Weight: 330g



Air Flow vs Air Pressure



Performance

Model	Part Number	Bearing System	Rated Voltage (V)	Operating Frequency (Hz)	Current (A)	Input Power (W)	Nominal Speed (R.P.M)	Air Flow (CFM)	Air Pressure (mm-H ₂ O)	Noise (dBA)
YA12025HA1	YA12025HA1SL(T)	Sleeve or	110/120	50/60	0.12/0.14	18/17	2300/2800	61/75	4.85/5.70	35/38
	YA12025HA1BL(T)	Ball								
YA12025HA2	YA12025HA2SL(T)	Sleeve or	220/240	50/60	0.06/0.10	18/17	2300/2800	61/75	4.85/5.70	35/38
	YA12025HA2BL(T)	Ball								